

# Polaris D Series Lab Water Systems



## Operating Manual

P2D1-M, P2D2-M, P2D3-M

P1D1-M, P1D2-M, P1D3-M

P1D1-L, P1D2-L, P1D3-L

P1D1-L, P1D2-L, P1D3-L

**APS Water Services Corp.**

7230 Valjean Ave, Van Nuys, Ca. 91406 [apswater.com](http://apswater.com)

818-786-0600 [Public@apswater.com](mailto:Public@apswater.com)

# Polaris D Series Lab Water Systems

## Introduction

The Polaris D Series Lab Water Systems are designed to simply purify water or other solutions using a large variety of filters and membranes.

A typical use for this system is for the removal of dissolved ions needed for feed water to supply Laser Systems, Incubators, Environmental Chambers, glassware washers or any application requiring ion free water.

Other filters can be used for De-Chlorination, Trace Organic Removal, Particulate Removal or high flow bacteria and pyrogen removal.

Additionally, you can remove bacteria by using our FF Series Bacteria filter capsules that attach to the outlet as a final purification step.

Polaris D Series Water system are available in single, double and triple housing configurations. These configurations give you the opportunity to perfectly tailor the system to your exact needs. Extra housings can give you more capacity meaning less maintenance, or they can also allow for greater purification using a mix of filters that that can remove all the contaminants you need.

The Polaris D series system are available in either a high capacity 20" filter version or a Compact 10" filter Version.

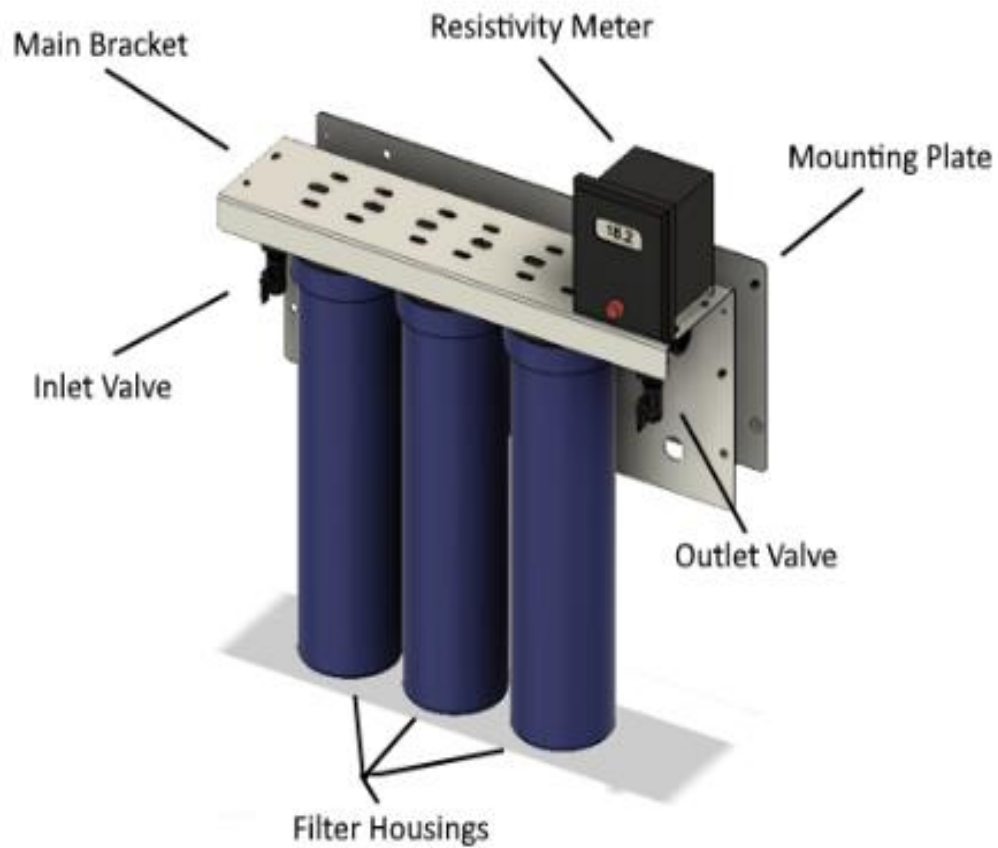
Polaris D Series Lab Water Systems come with either a high quality, NIST calibratable resistivity meter, A 200K Ohm Red/Green water quality Indicator light or you can opt for no purity monitoring at all for those using this for particulate removal or other applications.

### **APS Water Services Corp.**

7230 Valjean Ave, Van Nuys, Ca. 91406 [apswater.com](http://apswater.com)

818-786-0600 [Public@apswater.com](mailto:Public@apswater.com)

# Polaris D Series Lab Water Systems



P2D3-M Water System

## **APS Water Services Corp.**

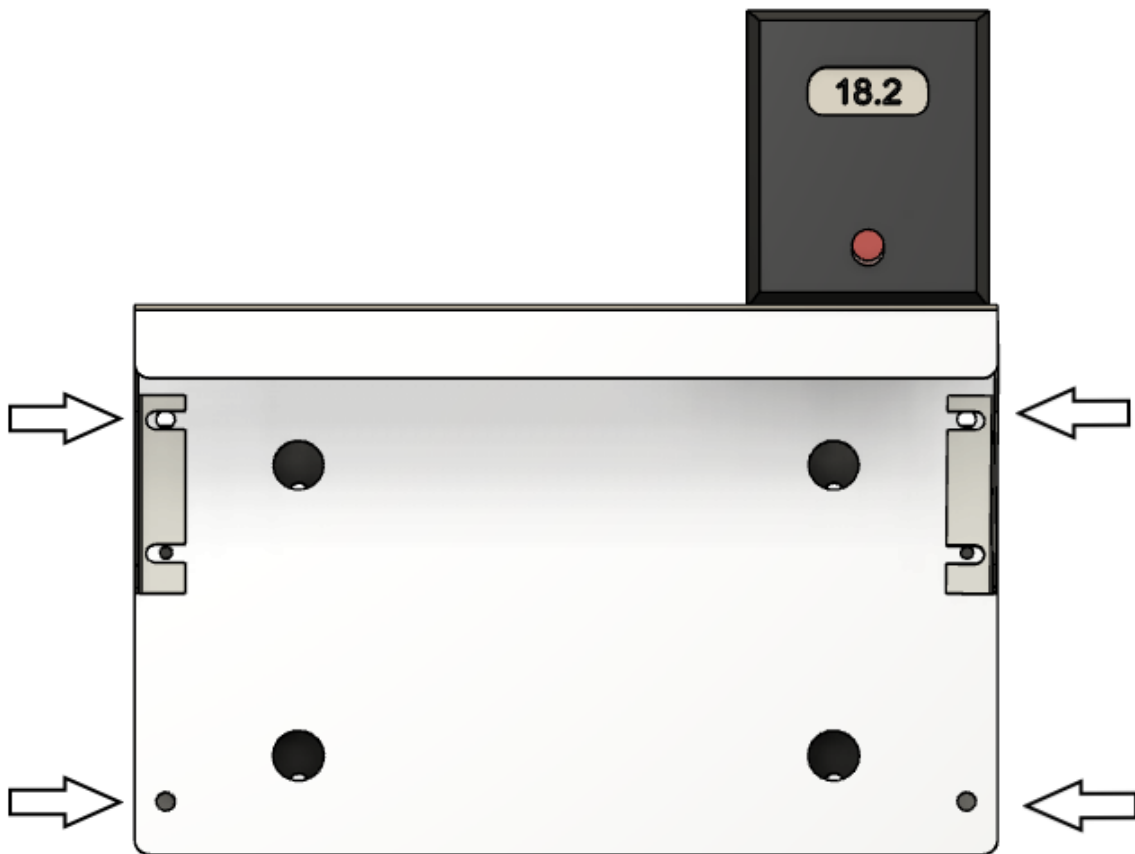
7230 Valjean Ave, Van Nuys, Ca. 91406 [apswater.com](http://apswater.com)

818-786-0600 [Public@apswater.com](mailto:Public@apswater.com)

# Polaris D Series Lab Water Systems

## Installation

Remove the filter housing bowl (s) by turning them with the included wrench.



Remove the 4 corner nylon nuts to release the mounting plate

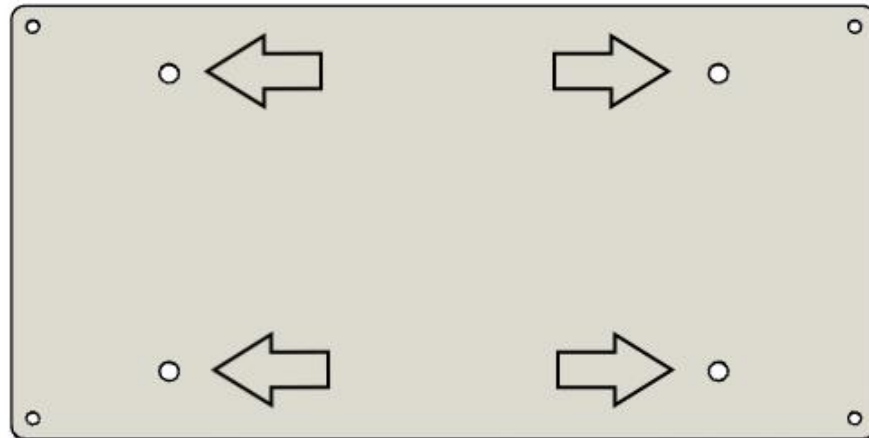
**APS Water Services Corp.**

7230 Valjean Ave, Van Nuys, Ca. 91406 [apswater.com](mailto:apswater.com)

818-786-0600 [Public@apswater.com](mailto:Public@apswater.com)

# Polaris D Series Lab Water Systems

Mounting Plate



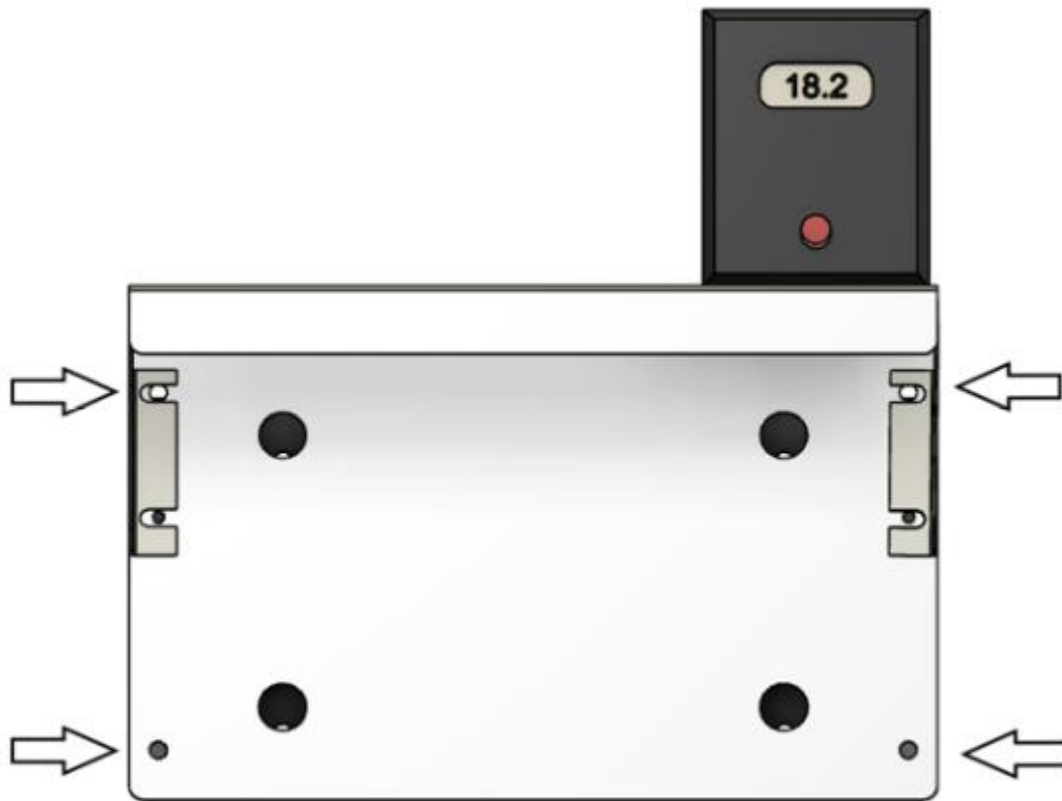
Attach mounting plate to the wall using the proper anchors at the locations shown

**APS Water Services Corp.**

7230 Valjean Ave, Van Nuys, Ca. 91406 [apswater.com](http://apswater.com)

818-786-0600 [Public@apswater.com](mailto:Public@apswater.com)

# Polaris D Series Lab Water Systems



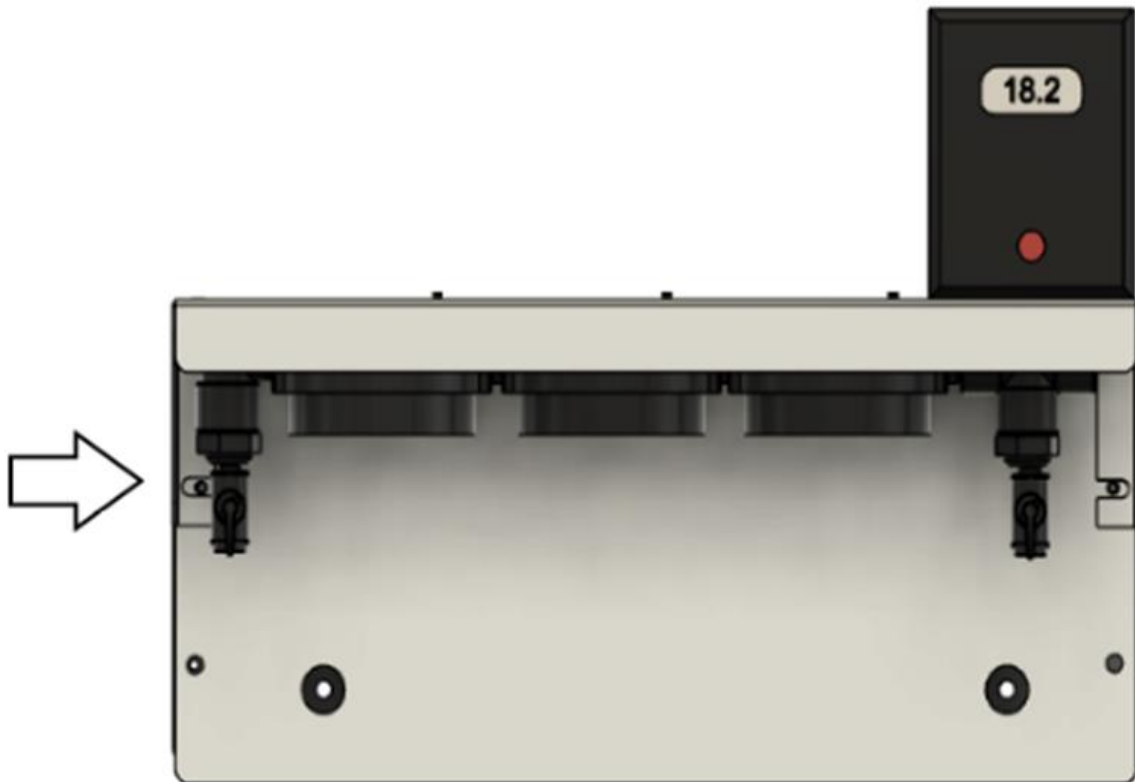
Place the Polaris D series system back on the bracket  
Reinstall the 4 nylon nuts on the corner studs

**APS Water Services Corp.**

7230 Valjean Ave, Van Nuys, Ca. 91406 [apswater.com](http://apswater.com)

818-786-0600 [Public@apswater.com](mailto:Public@apswater.com)

# Polaris D Series Lab Water Systems



Close the inlet valve.

Connect 3/8" tubing to the inlet valve.

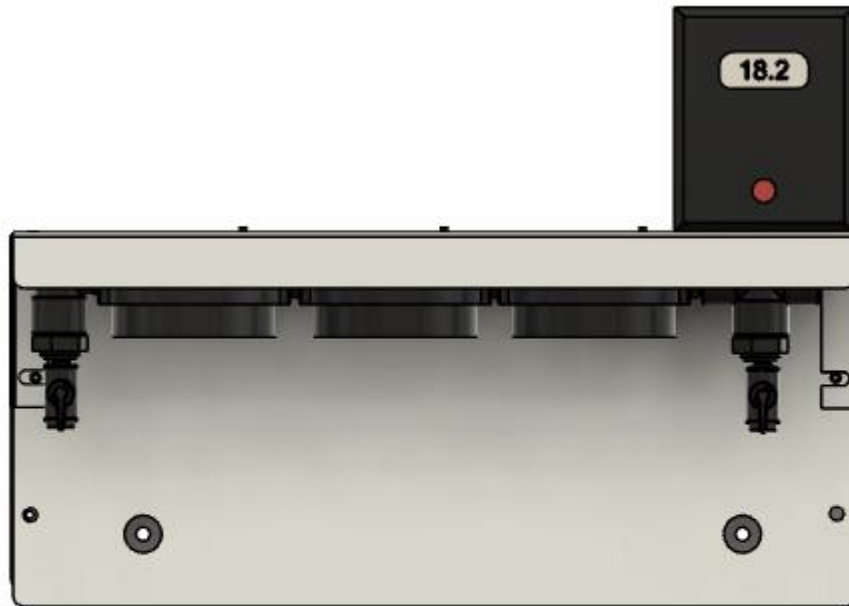
**APS Water Services Corp.**

7230 Valjean Ave, Van Nuys, Ca. 91406 [apswater.com](http://apswater.com)

818-786-0600 [Public@apswater.com](mailto:Public@apswater.com)

# Polaris D Series Lab Water Systems

## Filter Installation



Place the desired filters into the housing bowls.  
Reinstall the housing bowls.

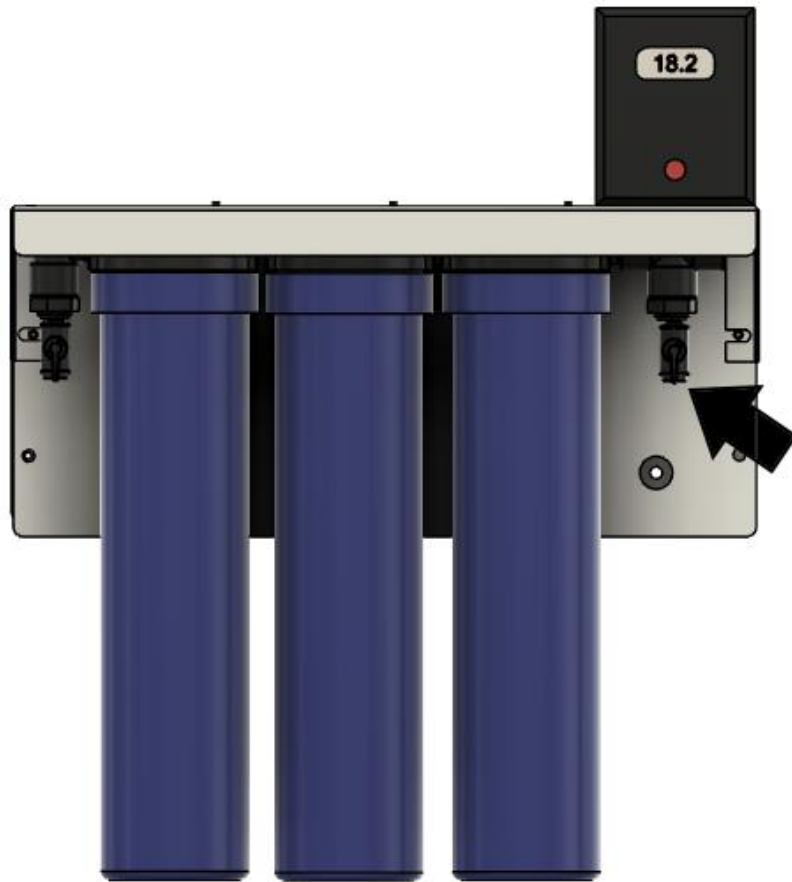
**APS Water Services Corp.**

7230 Valjean Ave, Van Nuys, Ca. 91406 [apswater.com](http://apswater.com)

818-786-0600 [Public@apswater.com](mailto:Public@apswater.com)



# Polaris D Series Lab Water Systems



Attach outlet connection

Attach 1/4" outlet filter, 3/8 " tubing to an instrument or draw water directly off the outlet valve.

This outlet has a 1/4" Female pipe connection.

## Operating

To operate, Open the feed water valve and then open the outlet valve until the desired purity level is reached.

When done, Close both the inlet and outlet valves. The valves are closed when the handles on the valves are horizontal.

### **APS Water Services Corp.**

7230 Valjean Ave, Van Nuys, Ca. 91406 [apswater.com](http://apswater.com)

818-786-0600 [Public@apswater.com](mailto:Public@apswater.com)

# Polaris D Series Lab Water Systems

## Replacement Filters

Most applications would use MB2001 Deionizer Filters and an FF0101 outlet filter but there are many choices depending on how many housings your Polaris system has and what purity level you are trying to achieve. Contact us for help of filter choices.

Application	10"	20"
High Purity Deionization	MB1001	MB2001
High Capacity Deionization	SB1001	SB2001
Organic Reduction/High Purity DI.	OS1001	OS2001
Chlorine, Lead, Large Organic Removal	CF1001	CF2001
High Flow Bacteria Removal	FF1001	FF2001
Bacteria/Particulate Filter	FF0101	FF0101

### **APS Water Services Corp.**

7230 Valjean Ave, Van Nuys, Ca. 91406 [apswater.com](http://apswater.com)

818-786-0600 [Public@apswater.com](mailto:Public@apswater.com)

# Polaris D Series Lab Water Systems

## Resistivity Meter Option (-M models)

The Myron L Company's new 750 Series II Monitor/controllers. The 750 Series II is based on input from 'you' - our customers, time proven designs, and many years of instrumentation experience. Since 1957, the Myron L Company has been providing customers with quality products at an affordable price by designing and producing products that are Accurate, Reliable, Simple to use. Quality you have come to rely and depend on. As you read through this operation manual you will see the 750 Series II is truly designed to be user friendly with simple to install options, and easy re-rangeability as conditions or applications change.

A separate manual for the meter is available at

[https://www.apswater.com/myronl/750\\_manual\\_01\\_06.pdf](https://www.apswater.com/myronl/750_manual_01_06.pdf)

The Polaris D Series Lab Water Systems can be custom configured to meet your exact needs. Please contact us for more information on upgrades and modifications.

### **APS Water Services Corp.**

7230 Valjean Ave, Van Nuys, Ca. 91406 [apswater.com](http://apswater.com)

818-786-0600 [Public@apswater.com](mailto:Public@apswater.com)